

STANDARD & CUSTOM MODELS FOR UP TO 60,000 LBS./PAIR

DETACHABLE BOLSTER EXTENSIONS

Designed for larger load applications, Models 524 and 524HD Detachable Bolster Extensions provide maximum flexibility for press access and easy movement to other presses. A gate latch and lock pin easily secure the bolster extensions to Model 914 mounting brackets for semi-permanent integrity during die loading and unloading operations. Steel wheels allow for strong rigid support of the extensions during use and comfortable rolling to another press, if used as part of a modular multi-press QDC system.

The Detachable Bolster Extensions are custom made to match the application height requirements with a +/- 2 inch height adjustment for leveling and some flexibility for variations in press heights. Extension height from the floor to the top of the rollers is specified by a height dimension in the part number.

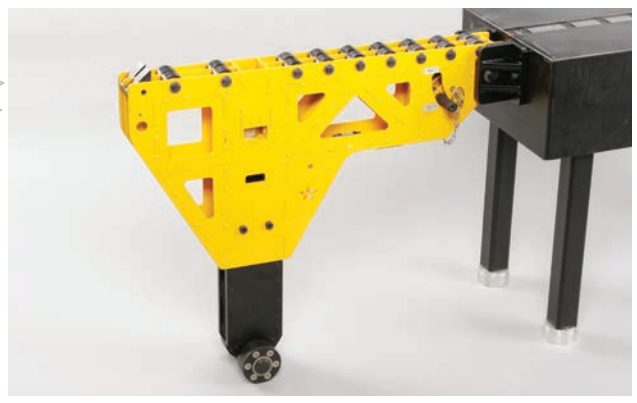
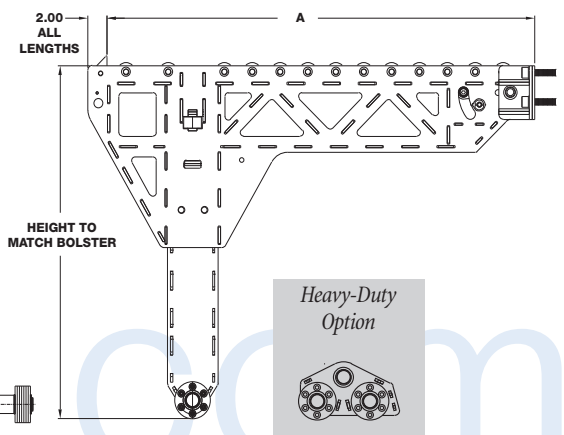
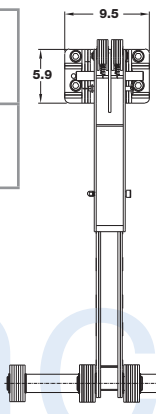
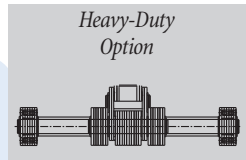
While the 524 series is designed to be ordered and provided as a standardized production part, customizations of the 524 are available for a variety of unique requirements up to 60,000 lbs./pair. Please contact PFA with application details.

Bracket Height is for the bracket only and not the distance from the die lifter roller surface or bolster surface. For a nominal .090" roller height above the surface, the bottom of the mounting bracket will be 6.0" below the surface. Minimum bolster thickness is 5". For complete mounting details contact PFA.

Example:

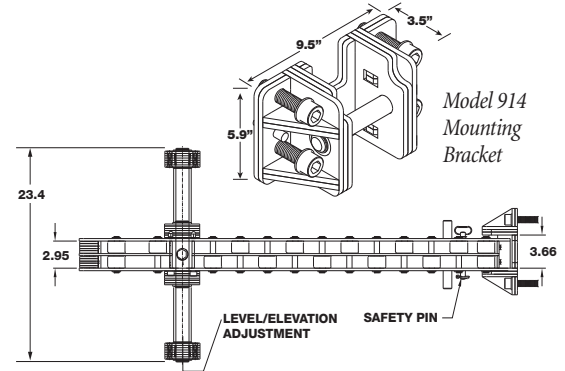
Style	Model Number	Height
BE	524HD-48	30.5

Part No: **BE-524HD-48-30.5**



Model - Length Model No.	A	Die Weight
524-36	36.00"	16,000 lbs./pair
524-42	42.00"	
524-48	48.00"	
524-60	60.00"	
524-72	72.00"	
524-84	84.00"	
**	**	
524HD-36	36.00"	35,000 lbs./pair
524HD-42	42.00"	
524HD-48	48.00"	
524HD-60	60.00"	
524HD-72	72.00"	
524HD-84	84.00"	
**	**	

**Other sizes available. Call PFA for details.



Hydraulic Clamping & Lifting

Hydraulic Control Units

Mechanical Clamping & Lifting

Pneumatic Lifting